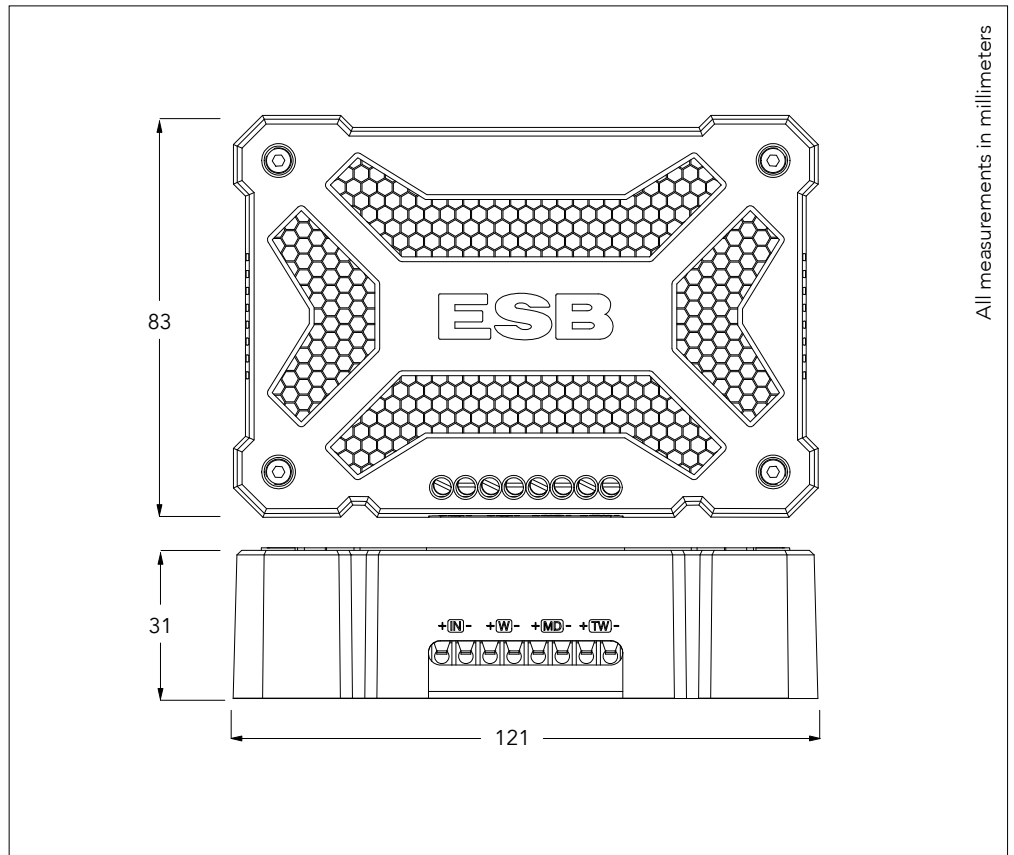
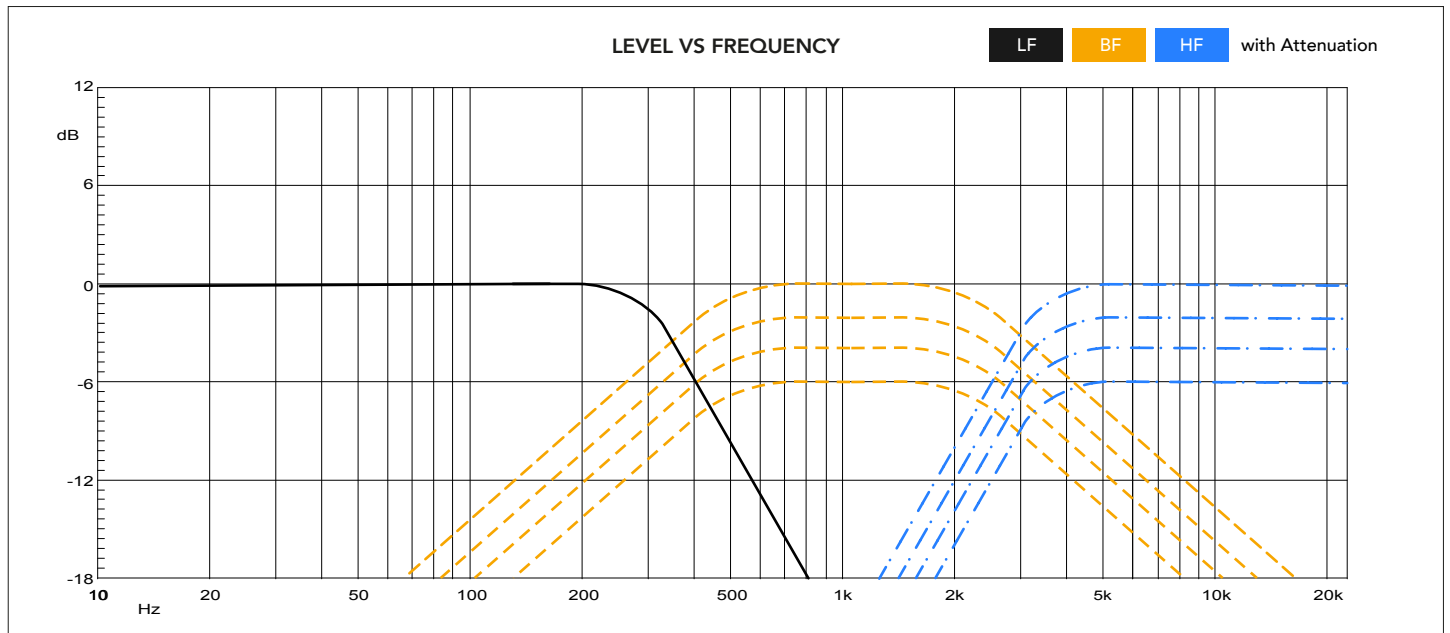


Type: 3-way Passive Crossover Network  
 High Thickness PCB Copper  
 Polyester Tweeter Capacitors  
 In air Tweeter and Midrange Inductor  
 Asymmetrical Cutting Slope  
 Over-sized and Non-inductive Resistors  
 Tweeter 4-step Level Adjustment  
 High Frequency Level: 0/-2/-4/-6 dB  
 Midrange 4-step Level Adjustment  
 Mid Frequency Level: 0/-2/-4/-6 dB  
 Crossover Frequency: 350 Hz / 3 kHz  
 Slope: 12 LP, 6-6 BP, 12 HP dB/Oct  
 Low Frequency Section: ESB 3.165  
 High Frequency Section: ESB 3.90  
 High Frequency Section: ESB 3.28  
 Power Handling: 300 W  
 Clean mounting system with inside screws



All measurements in millimeters



### ALU E-CAP

The Alu E-Cap is a high quality aluminum foil capacitor, designed specifically for passive crossovers (tweeter and midrange). It uses a much thinner dielectric insulation compared to the market standard. The use of a thinner dielectric insulator allows for a cap with less "memory" and that is much faster reacting. Compared to the electrolytic capacitors, the Alu E-Cap will bring more brightness and a little more natural top end balance to audio system. Ideal for who prefer a slightly more bright system, while also hearing improvements in the overall naturalness.

- Ultra-thin dielectric insulation to eliminate memory effect in the capacitor
- An extremely fast reacting capacitor
- Very low ESR, SEL, inductance and dielectric absorption data
- High quality aluminum foil wound with highly specialized machinery and precision winding techniques
- Specifically designed for the tweeter and midrange section of passive crossovers