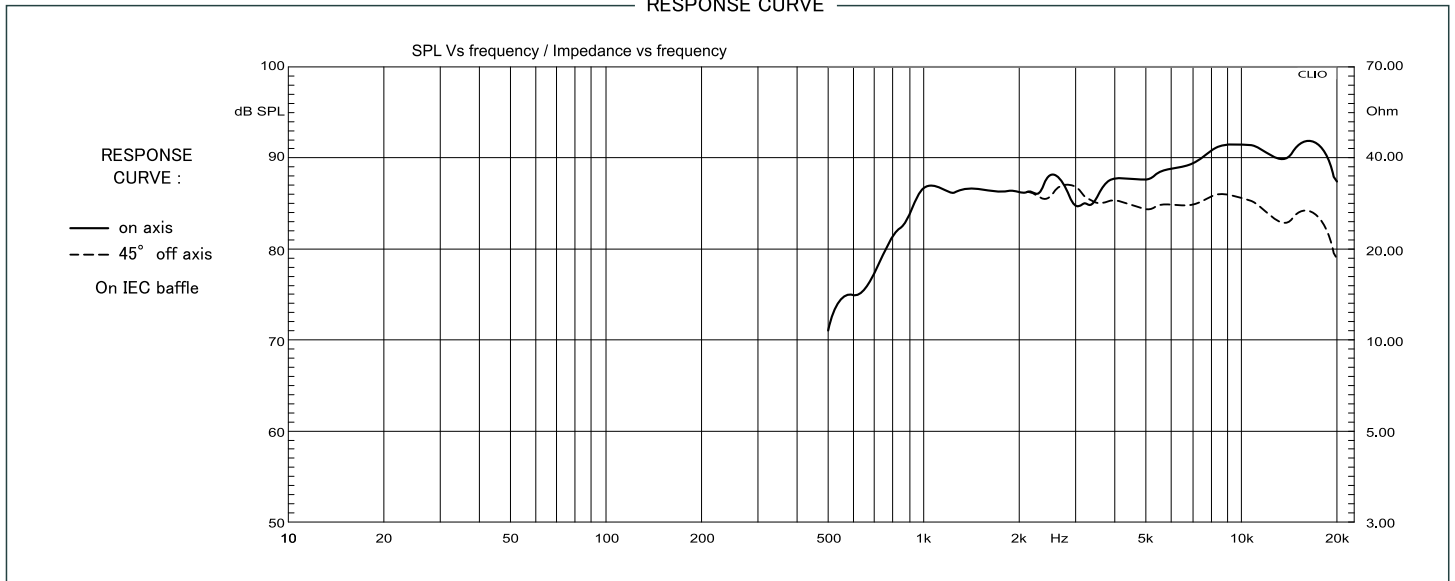


32.5 mm voice coil  
 32 mm / 1.25" nominal diameter  
 Oversize N42 neodymium magnet  
 Motor computer optimized design  
 Motor metal part CNC machined  
 Soft silk dome

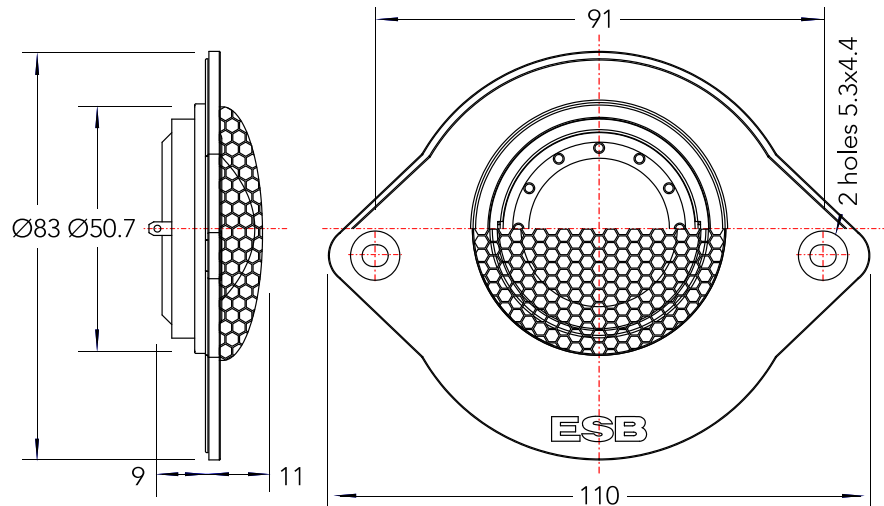
Aluminum die cast frame  
 Super flexible oversize connection cables  
 Vented voice coil  
 Soft rubber gasket for perfect sealing  
 Ferrofluid cooling and damping  
 Under dome damping chamber



RESPONSE CURVE



SPECIFICATIONS			
Technical Characteristics	Symbol	Value	Units
<b>GENERAL DATA</b>			
Overall Dimension	D x h	83 x 20	mm
Nominal Power Handling (AES)*	P	80	W
Transient Power *	Pp	160	W
Sensitivity 1W/1m	SPL	89	dB SPL
Frequency Response		900 - 25.000	Hz
Dome Material		Silk	
*Nominal and Transient power @ High Pass 2.5KHz-12db/Oct			
<b>ELECTRICAL DATA</b>			
Nominal Impedance	Z	4	Ω
DC Resistance	Re	6.4	Ω
<b>VOICE COIL AND MAGNET PARAMETERS</b>			
Voice Coil Diameter	Dia	32.5	mm
Voice coil Height	h	1.3	mm
Number of layers	n	2	
Voice Coil Former		Aluminum	
Magnet System		Neodymium N42	
Magnetic Gap Height	HE	2.3	mm
Max Linear excursion	Xmax	±0.5	mm
Magnet dimension	Ø x h	31 x 3.7	mm

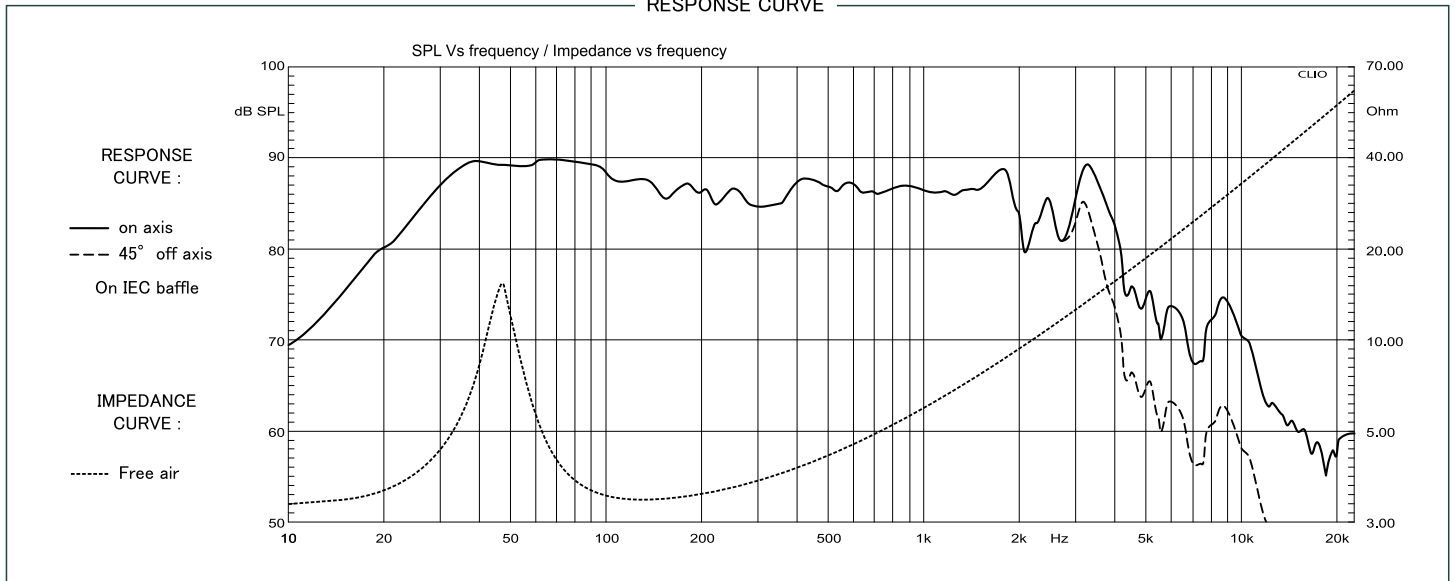


32.5 mm voice coil  
 200 mm / 8" nominal diameter  
 Double N42 neodymium magnet  
 Motor computer optimized design  
 Aluminum coil for extended response  
 Motor metal part CNC machined

PP-TD20, mineral filled polypropylene  
 Aluminum die cast frame  
 Long excursion rubber surround  
 Inverted voice coil  
 Strong die cast aluminum AUDI adaptor  
 Soft rubber gasket for perfect sealing



### RESPONSE CURVE



SPECIFICATIONS			
Technical Characteristics	Symbol	Value	Units
<b>GENERAL DATA</b>			
Overall Dimension	D x h	232 x 80	mm
Nominal Power Handling (AES)*	P	120	W
Transient Power *	Pp	240	W
Sensivity 1W/1m	SPL	88.5	dB SPL
Frequency Response		40 – 2.000	Hz
Dome Material		PP-TD20	
*Nominal and Transient power @ High Pass 60Hz-12db/Oct			
<b>ELECTRICAL DATA</b>			
Nominal Impedance	Z	4	Ω
DC Resistance	Re	3.2	Ω
<b>VOICE COIL AND MAGNET PARAMETERS</b>			
Voice Coil Diameter	Dia	32.5	mm
Voice coil Height	h	8	mm
Number of layers	n	4	
Voice Coil Former		Aluminum 3003-H18	
Magnet System		Double neodymium N42	
Magnetic Gap Height	HE	10	mm
Max Linear excursion	Xmax	±6	mm
BL Product	BxL	4.8	Na
Magnet dimension	Ø x h	31 x 10	mm
Magnet weight	m	62	g
<b>T&amp;S PARAMETERS</b>			
Mechanical Q Factor	Qms	5.46	
Electrical Q Factor	Qes	1.32	
Total Q Factor	Qts	1.06	
Suspension Compliance	Cms	0.26	N/m
Moving Mass	mms	24.2	g
Eq. Comp. Air Load	VAS	19.2	l
Resonance Frequency	Fs	63	Hz
Effective Piston Area	SD	227	cm <sup>2</sup>

