

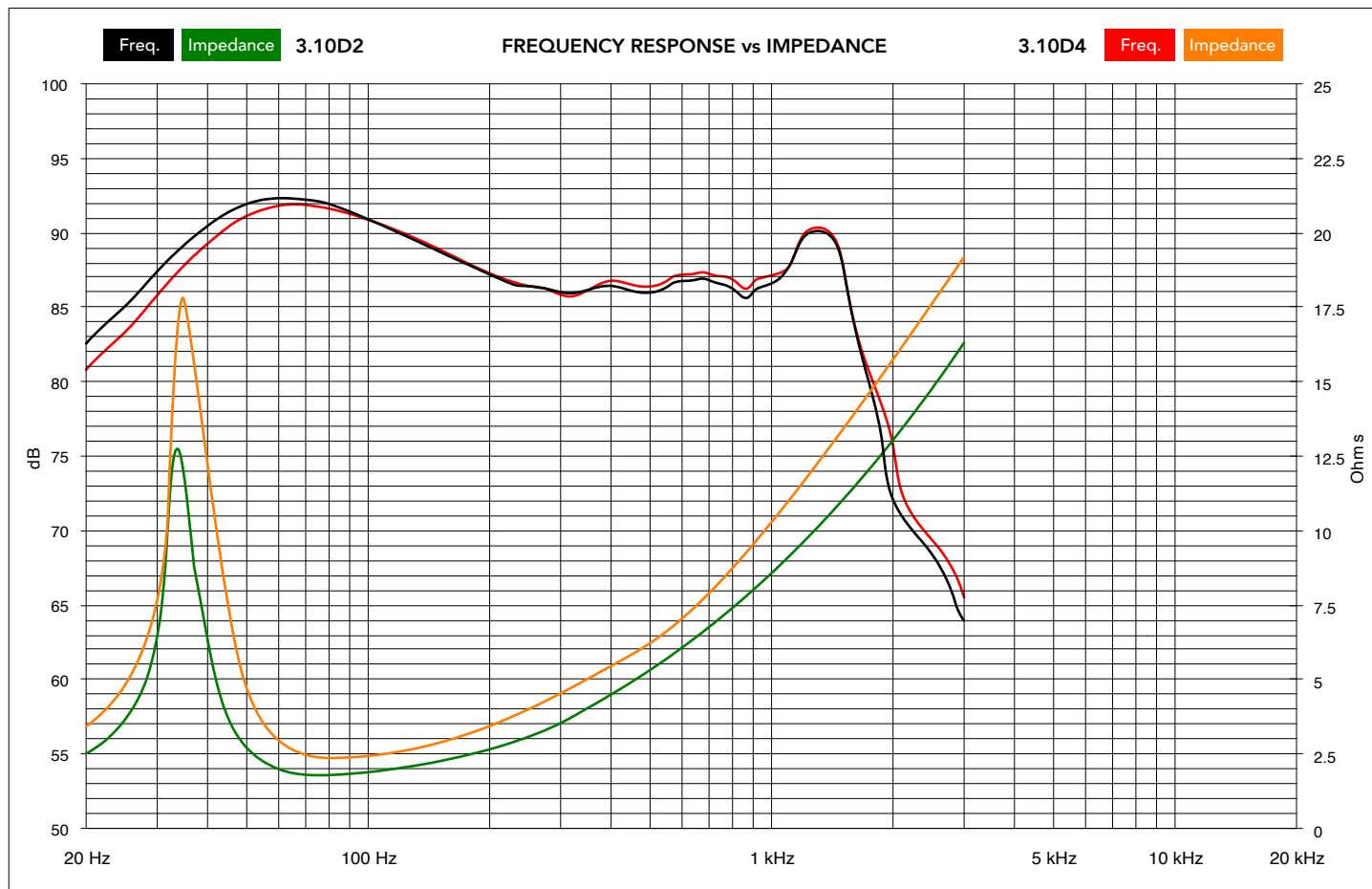
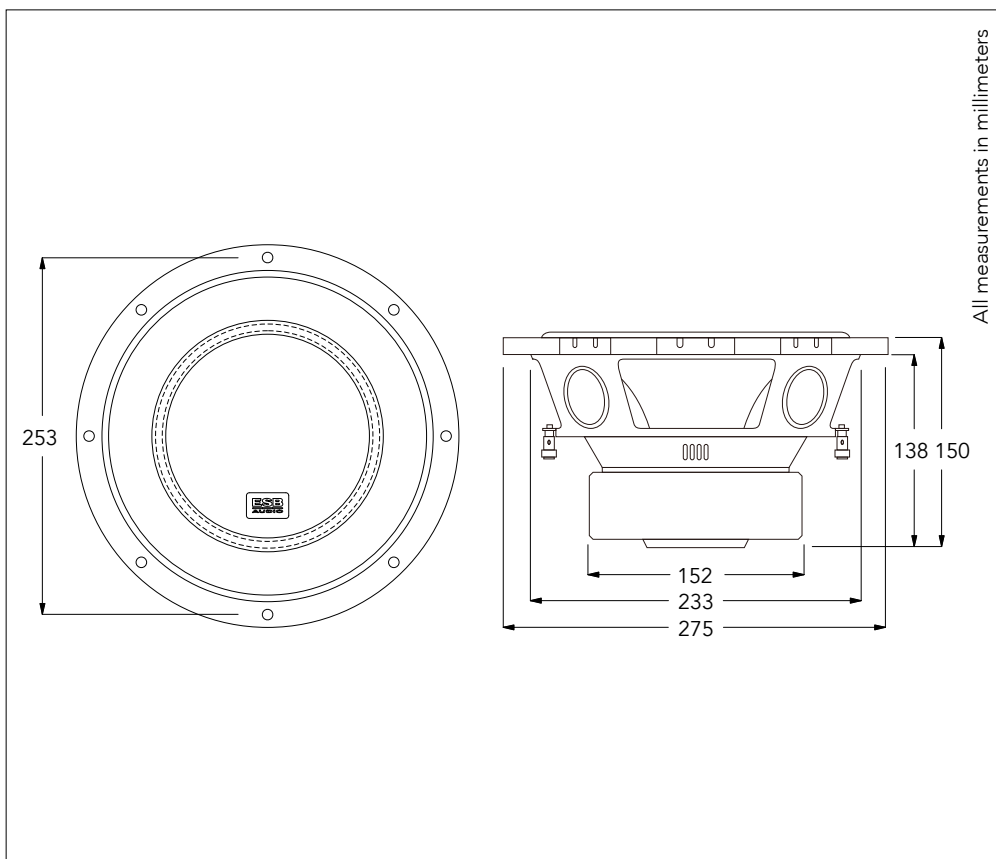
Speaker Type: Component Subwoofer
 Nominal Diameter: 10"/250 mm
 Nominal Impedance (Znom):
 3.10D4: 4 +4 Ohms / 3.10D2: 2 +2 Ohms
 Continuous Power Handling: 300 W
 Peak Power Handling: 600 W
 Rec. Amplifier Power: 100 - 300W (RMS)
 Driver Rear Displacement: 0.95 lt

PARAMETERS 3.10D4 / 3.10D2

Voice Coil Resistance (Re):
 3.3 + 3.3 / 2.3 + 2.3 Ohms
 Voice Coil Diameter: 50 mm
 Free Air Resonance (Fs): 34.5 Hz / 33.6 Hz
 Sensitivity: 88.0 / 87.5 dB @ 1W/1m
 91.0 / 90.5 dB @ 2.83V/1m
 Electrical "Q" (Qes): 0.528 / 0.576
 Mechanical "Q" (Qms): 5.173 / 5.818
 Total Speaker "Q" (Qts): 0.479 / 0.524
 Equivalent Compliance (Vas): 13.8 / 14.65 lt
 Moving Mass (Mms): 232.9 / 232.8 g
 Mech. Comp. (Cms): 0.0907 / 0.0963 mm/N
 Magnetic Strength (BL): 12.58 / 9.9 N/A
 Effective Piston Area (Sd): 330 sq. cm
 One-Way Linear Excursion (Xmax): 8 mm

DESIGN BANDWIDTH 3.10D4 / 3.10D2

30 Hz - 400 Hz / 28 Hz - 350 Hz



RECOMMENDED SEALED ENCLOSURE

Net Volume:

3.10D4/D2: 0.88 ft³ / 25 lit.

External Dimensions:

3.10D4/D2: 405 × 355 × 260 mm

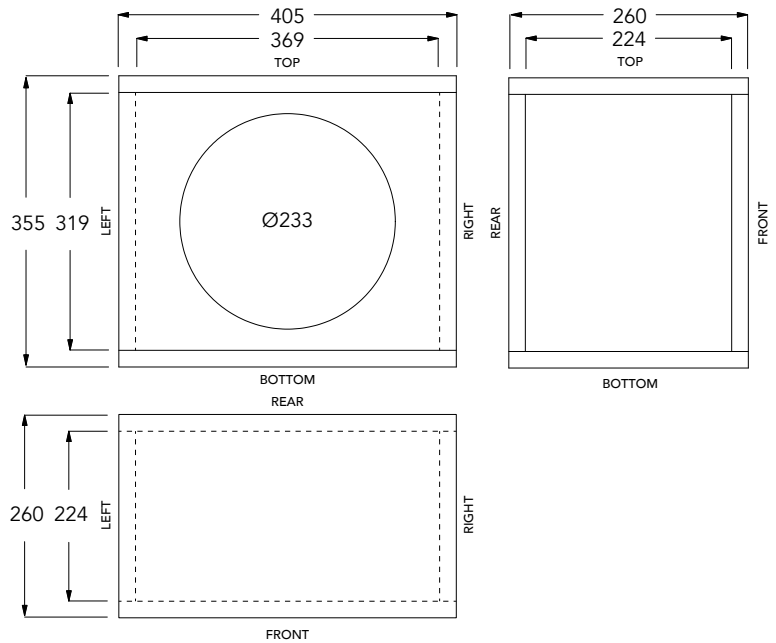
Part Details:

Top/Bottom (2 pcs): 405 × 260 mm

Front/Rear (2 pcs): 405 × 319 mm

Left/Right (2 pcs): 224 × 319 mm

Material Thickness: 0.7"/18 mm. Less thickness may compromise box rigidity with leak bass response. Add inside damping material for about 35% of the volume.



RECOMMENDED PORTED ENCLOSURE 1

Net Volume:

3.10D4/D2: 0.74 ft³ / 21 lit.

External Dimensions:

3.10D4/D2: 445 × 320 × 260 mm

Port Dimensions:

3.10D4: 284 × 15 × 530 mm

3.10D2: 284 × 15 × 540 mm

Part Details:

Top/Bottom (2 pcs): 445 × 260 mm

Front/Rear (2 pc): 445 × 284 mm

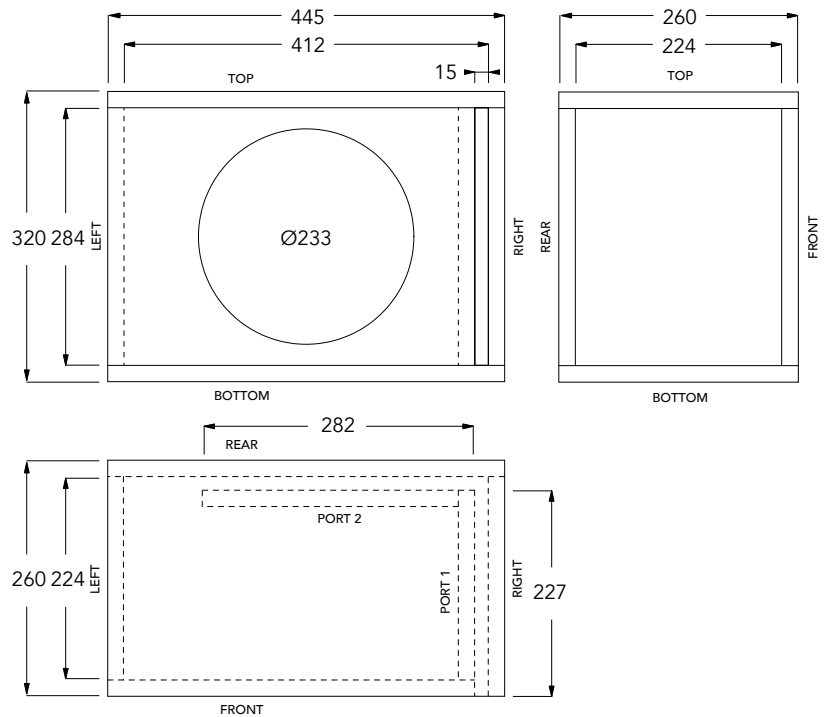
Left (1 pc): 284 × 224 mm

Right (1 pc): 284 × 242 mm

Port 1 (1 pc): 284 × 209 mm

Port 2 (1 pc): 284 × 282 mm

Material Thickness: 0.7"/18 mm. Less thickness may compromise box rigidity with leak bass response. Add inside damping material for about 35% of the volume.



RECOMMENDED PORTED ENCLOSURE 2

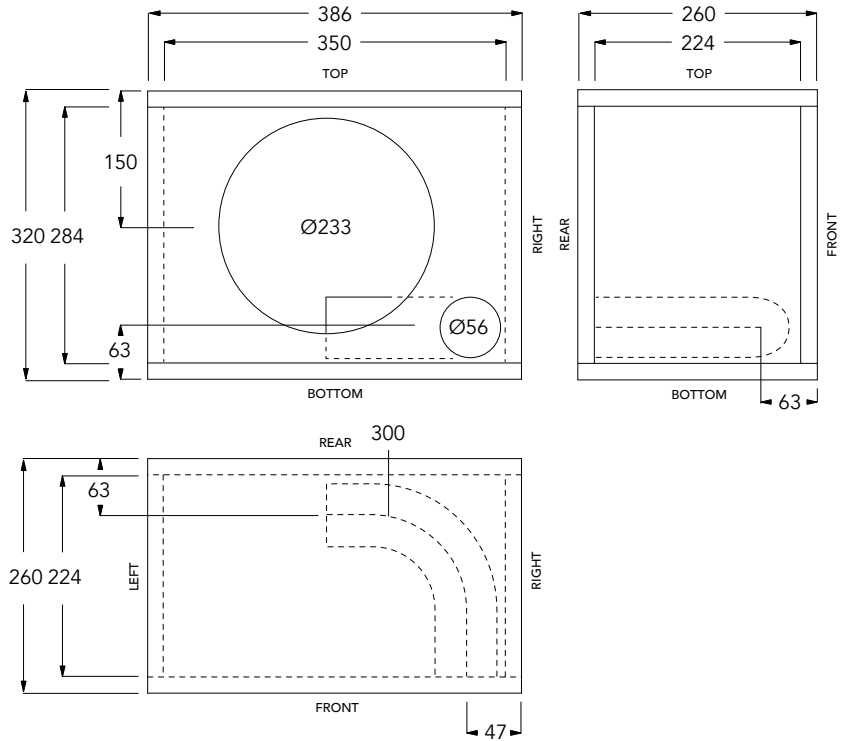
Net Volume:
3.10D4/D2: 0.74 ft³ / 21 lit.

External Dimensions:
3.10D4/D2: 386 × 320 × 260 mm

Port Dimensions:
3.10D4/D2: Ø56 × 300 mm

Part Details:
Top/Bottom (2 pcs): 386 × 260 mm
Front/Rear (2 pcs): 386 × 284 mm
Left/Right (2 pcs): 284 × 224 mm

Material Thickness: 0.7"/18 mm. Less thickness may compromise box rigidity with leak bass response. Add inside damping material for about 35% of the volume.



RECOMMENDED PORTED ENCLOSURE 3

Net Volume:
3.10D4/D2: 0.99 ft³ / 28 lit.

External Dimensions:
3.10D4/D2: 471 × 320 × 260/160 mm

Port Dimensions:
3.10D4/D2: Ø56 × 300 mm

Part Details:
Top (1 pc): 471 × 166* mm
Bottom (1 pc): 471 × 260* mm
Front (1 pc): 471 × 284 mm
Rear (1 pc): 471 × 298* mm
Left/Right (2 pcs): 284 × 217 mm

*Chamfered Side
Material Thickness: 0.7"/18 mm. Less thickness may compromise box rigidity with leak bass response. Add inside damping material for about 35% of the volume.

