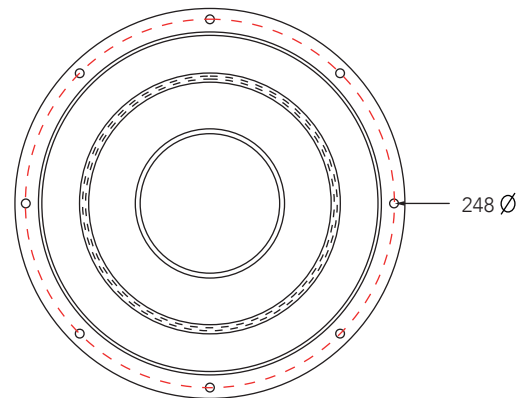
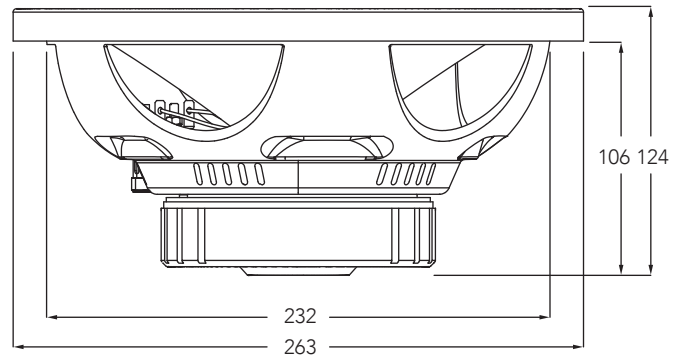


MAIN FEATURES

6.5"/165 mm woofer
 Pressed paper cone and rubber surround
 Y25 ferrite woofer magnet
 Power: 400 Watt Peak
 Sensitivity: 88 dB

TECHNICAL SPECIFICATIONS

Frequency Response	43Hz - 1.5KHz
Power	400W (Max) 200W (RMS)
Impedance	4 Ohm
Sensitivity	88 dB (2.83V/ 1M)
DC Resistance	3.6 Ohm
Resonance Frequency (Fs)	42.7 Hz
Mech. Q Factor (Qms)	4.98
Electrical Q Factor (Qes)	0.99
Total Q Factor (Qts)	0.82
Moving Mass (Mms)	84 g
Eq. Comp. Air Load (VAS)	27.7 L
Effective Piston Area (Sd)	326 sq. cm



Recommended Sealed Enclosure

Volume: 28 LT
 External Dim.: 420 (W) × 320 (H) × 300 (D)

