

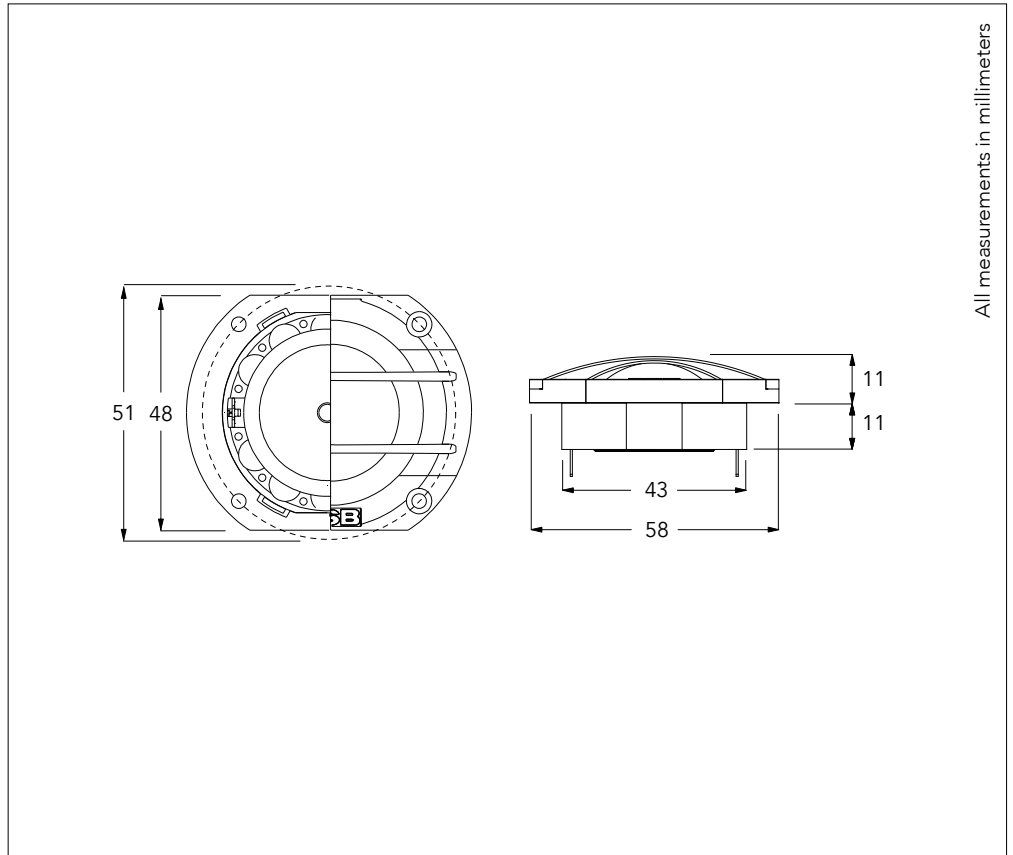
Speaker Type: Component Tweeter
 Nominal Diameter: 1.1"/28 mm
 Nominal Impedance (Znom): 4 Ohms
 Continuous Power Handling: 90 W
 Peak Power Handling: 180 W
 Rec. Amplifier Power: 30 - 120W (RMS)

PARAMETERS

Voice Coil Resistance (Re): 3.5 Ohms
 Voice Coil Diameter: 28 mm
 Free Air Resonance (Fs): 505 Hz
 Sensitivity: 91.0 dB @ 1W/1m
 94.0 dB @ 2.83V/1m
 Electrical "Q" (Qes): 0.568
 Mechanical "Q" (Qms): 1.529
 Total Speaker "Q" (Qts): 0.554

DESIGN BANDWIDTH

With 48 dB/oct. HP filters: 1.8 KHz - 25 KHz
 With 24 dB/oct. HP filters: 2 KHz - 25 KHz
 With 12 dB/oct. HP filters: 2.2 KHz - 25 KHz



All measurements in millimeters

