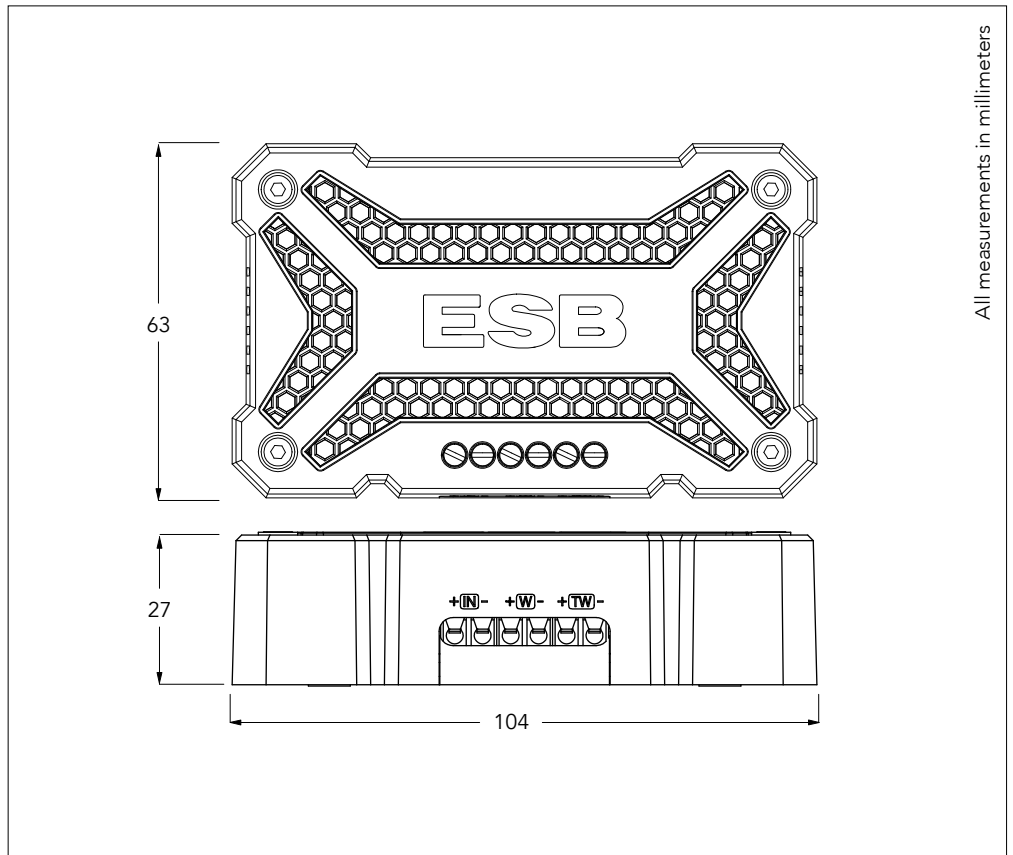


Type: 2-way Passive Crossover Network  
 High Thickness PCB copper  
 Polyester Tweeter Capacitors  
 In air Tweeter Inductor  
 Asymmetrical Cutting Slope  
 Over-sized and Non-inductive Resistors  
 Tweeter 4-step Level Adjustment  
 High Frequency Level: 0/-2/-4/-6 dB  
 Crossover Frequency: 3 kHz  
 Slope: 6 dB/Oct LP, 12 dB/Oct  
 Low Frequency Section: ESB 3.165  
 High Frequency Section: ESB 3.28  
 Power Handling: 300 W  
 Clean mounting system with inside screws



All measurements in millimeters

